

D-FSS-RE-STD-2 (Form 2)

The D type lock is a two-part interlock, comprising of a lock body and rear or front entry mounted catch. Typically, the D lock is used for interlocking electrical control cubicles and distribution panels. It is also suitable for use on light access doors or hatches. The catch is available in two options, one suited to well aligned doors, the other suited to poor, misaligned doors. The D lock is available as F style (figure style) or Q style of lock portions. The lock is manufactured in brass or stainless steel making it ideal for use in harsh or corrosive environments.

Operation

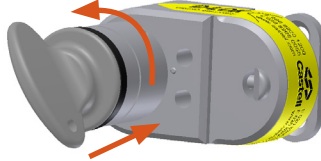
The D lock range is used for interlocking electrical control cubicles and distribution panels.

D Panel Door Interlock, Form 2

① Key is free, catch is trapped



② Insert and turn key to release catch



③ Key is trapped, catch is free



1. While the catch is trapped, the key is free. The mechanism is locked keeping the door locked closed.
2. By inserting and turning the key in the D lock, you can release the catch. This will trap the key into the lock.
3. The key stays trapped while the catch is released and door opened.

The D panel door interlock is available with as rear or front entry mounted catch.

The catch is available as standard catch for well aligned doors or as MS catch for misaligned doors.

Usage

The D Panel Door Interlock should be used for interlocking electrical control cubicles and distribution panels.



The D Lock is not designed for security purposes, such as a safe or external access to a building.

No hazardous substances were used in the manufacture of this product. The product can be disposed of in standard waste.

Installation

The housing of the D Panel Door Interlock should normally be mounted to a panel using suitable fasteners (please refer to drawing on page 4 for more details)



IMPORTANT:

The interlock should be mounted using anti-tamper fasteners to prevent unauthorised removal.



The D Panel Door Interlock must be installed by a competent and qualified person who has read and understood these instructions. Please retain this document in your technical file.

Maintenance

Periodic visual checks should be carried out by the site manager / safety officer.
Do not lubricate lock barrel with oil or grease, use CK Dry Powder Graphite if necessary.



In case of defects being detected please contact your nearest Castell Support Department for further actions.
Please see Contact section for contact details.

Technical Data

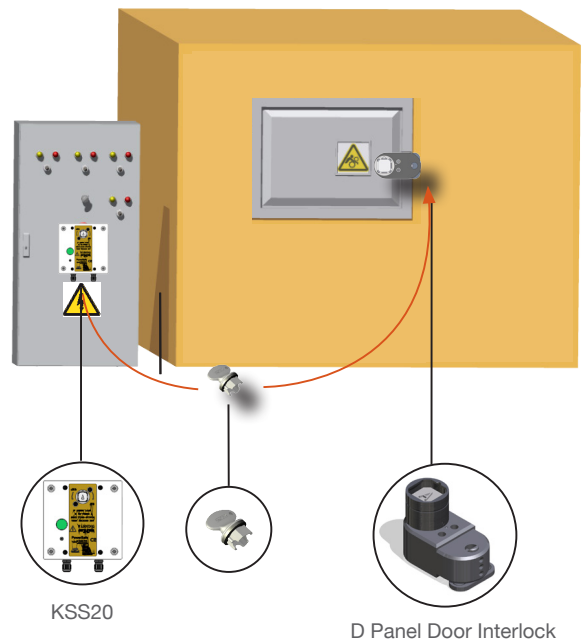
Temperature rating	Minimum: -40°C [-40°F] ice free for Q & F Type
	Maximum: 107°C [224,6°F] for Q Type/140°C [284°F] for F Type
Type of mounting	surface mount using suitable fasteners (please refer to drawing on page 4 for more details)
Weight	1 kg
Material	Brass/Stainless steel
MTTF Certification	Available on request

Application

The power supply to the system is switched on and the access doors to the hazardous area are locked closed.

The removal of the isolation key in the KSS20, isolates the electrical supply to the LV Panel. This key is then used to unlock the D panel door interlock interlock on the panel door.

The power cannot be switched on until the door is closed, the catch is trapped in the D panel door interlock and the key returned to the KSS20.



EC-Declaration

We, the manufacturers, declare that the components, detailed herein and placed on the market, comply with all the essential health and safety requirements applying to them.

Empowered signatory:

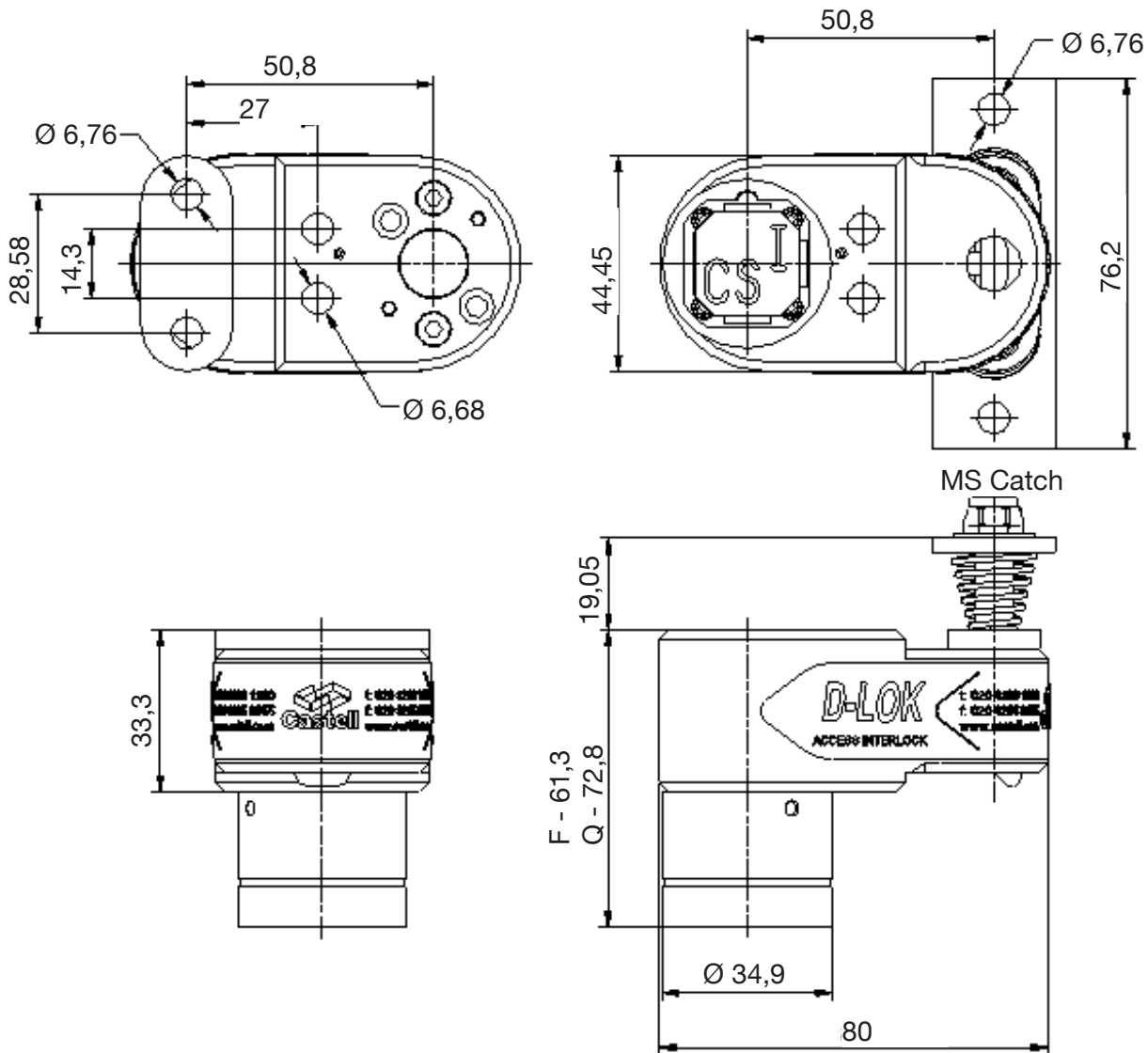
Mr T.C. Whelan
Managing Director



Drawing

Dimensions:
in mm

Note: For safe mounting, use security screws

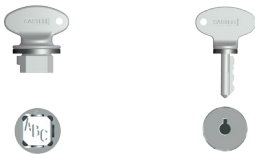


Order Information

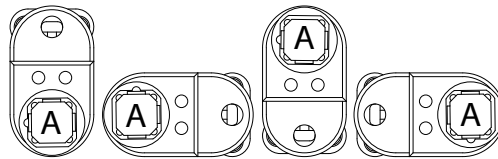
	Product Type	1	2	3	4	5
Part Number	D					
Example	D	FS	B	RE	STD	1
	6	ABC				

1	Lock portion type	FS ⁽¹⁾ / Q ⁽¹⁾
2	Material	B = Brass / S = Stainless steel
3	Catch entry	RE = Rear entry / FR = Front entry
4	Catch type	STD = standard catch, use for well aligned dors / MS = catch with spring, use for misaligned doors
5	Form	1 / 2 / 3 / 4 ⁽²⁾
6	Lock portion symbol	FS ⁽¹⁾ up to 3 characters / Q ⁽¹⁾ up to 6 characters

(1) **F - Lock style** Up to 3 characters **Q - Lock style** Up to 6 characters




(2) **Form** 1 2 3 4



Special construction available upon enquiry

Accessories

	Product	Part number
	Flip Cap	FLIP-S

Contact Information

Castell Safety International Ltd.
The Castell Building
217 Kingsbury Road
London, England NW9 9PQ

t: +44 (0) 20 8200 1200
f: +44 (0) 20 8905 9378
e: uksales@castell.com

Castell Safety International Ltd.
Oskar-Jäger-Strasse 137
50825 Köln
Germany

t: +49 (0) 221 1694 794
f: +49 (0) 221 1694 795
e: vertrieb@castell.com

Castell Interlocks Inc.
Suite 800
150 N Michigan Avenue,
Chicago, Illinois 60601
USA

t: +1.312.360.1516
f: +1.312.268.5174
e: ussales@castell.com

Castell Safety China
Building 1, No. 123,
Lane 1165, Jindu Road,
Minhang District,
Shanghai 201108, China.

t: +86 21 61519023
f: +86 21 61519030
e: chinasales@castell.com

While every effort has been made to ensure the accuracy of the information provided, no liability can be taken for any errors or omission. Castell Safety International Limited reserves the right to alter specifications and introduce improvements without prior notice.