

EDIX-FSS-BRI-1

The EDIX is a dual key access interlock complete with emergency exit system for use on hinged doors. The interlock is manufactured in durable stainless steel and comes with the stainless steel FS or Q style lock portions. Two internal crashbar options are available: a light duty two point aluminum and a heavy duty three point stainless steel. The EDIX interlock is ideal for use in harsh or corrosive environments where it is subject to heavy use. Typical industries using the EDIX are fire protection, turbine and offshore industry.

Operation

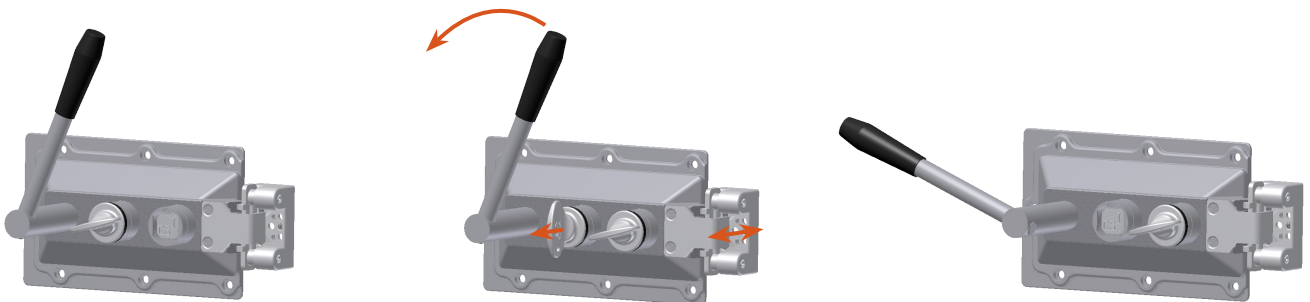
Castell dual key access interlocks are used in various applications to control full body access to hazardous areas.

EDIX dual key access interlock, Hand 1

① Door is locked closed while isolation key is free and personnel key is trapped.

② Insert and turn isolation key, then release personnel key and release catch from locking mechanism by operating the handle.

③ Door is unlocked, isolation key is trapped and personnel key is free.



1. While the isolation key is free, the catch of the EDIX is trapped in the locking mechanism of the dual key access interlock. The door is locked and the personnel key is trapped.
2. By inserting and turning the isolation key in the interlock, you can release the personnel key and then release the catch by operating the handle. This will trap the isolation key in the lock. The released key should be taken by the personnel to the hazardous area.
3. The isolation key stays trapped until the personnel key is returned to the EDIX unit and the catch is trapped in the mechanism.

Usage

The EDIX dual key access interlock should be used to allow safe access to potential hazardous and dangerous areas. The EDIX dual key access interlock should be used on full body access doors where the use of personal safety keys is essential, to prevent accidental lock in.



The EDIX dual key access interlock is not designed for security purposes, such as a safe or external access to a building.

No hazardous substances were used in the manufacture of this product. The product can be disposed of in standard waste.

Installation

The housing of the EDIX dual key access interlock should normally be mounted on the static frame of the guard and the catch mechanism to the sliding or hinged door using suitable fasteners. Fixed bolt bracket is highly tolerant to misaligned guards and should be fitted with suitable fasteners. Please refer to the drawing on page 4 for maximum and minimum mounting distance for the housing, catch mechanism and mounting holes details. The EDIX interlocks are available in Hand 1 and Hand 2 version suitable for left or right hinged doors, respectively. Anti vibration pads should be used on machines that generate a high level of vibration.

IMPORTANT:



The EDIX dual key access interlock should be mounted on the guard using anti-tamper fasteners to prevent unauthorised removal.



The EDIX dual key access interlock must be installed by a competent and qualified person who has read and understood these instructions. Please retain this document in your technical file.

Maintenance

Periodic visual checks should be carried out by the site manager/safety officer. Do not lubricate lock barrel with oil or grease, use CK Dry Powder Graphite if necessary.



In case of defects being detected please contact your nearest Castell Support Department for further actions. Please see Contact section for contact details.

Technical Data

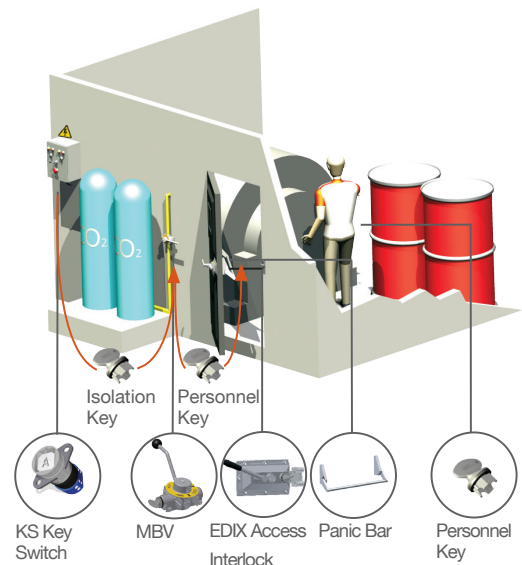
Temperature rating	Minimum: -40°C [-40°F] ice free for Q & FS type
	Maximum: 107°C [224,6°F] for Q type/140°C [284°F] for FS type or 288°C [550°F] upon request
Type of mounting	Surface mount using suitable fasteners (see drawing on page 4 for mounting details)
Weight	Stainless steel: 14,0 kg
Material	Stainless steel
MTTF Certification	Available on request

Application

The EDIX is used as a part of a safety system to guard personnel when working within an area protected by a CO2 extinguishing system.

The safety system involves a KS key switch for the electrical supply to the extinguishing system controlling its operation mode. The removal of the key from the key switch changes the mode of the extinguishing system from automatic to manual. This key is then inserted in the MBV modular ball valve interlock fitted to the CO2 valve. With the key inserted, the valve is turned to the closed position, preventing the extinguishing system from being activated and allowing the removal of the secondary key from the MBV. This key is then inserted into the isolation lock on the EDIX and the personnel key removed. The door can now be opened by operating the handle. The personnel key is taken into the area by the operative. This prevents the ability of others to re-energise the extinguishing system while maintenance is being performed.

In case of an emergency the EDIX door lock can be overridden from the inside using the emergency exit crash bar.



EC-Declaration

We, the manufacturers, declare that the components, detailed herein and placed on the market, comply with all the essential health and safety requirements applying to them.

Empowered signatory:

Mr T.C. Whelan
Managing Director

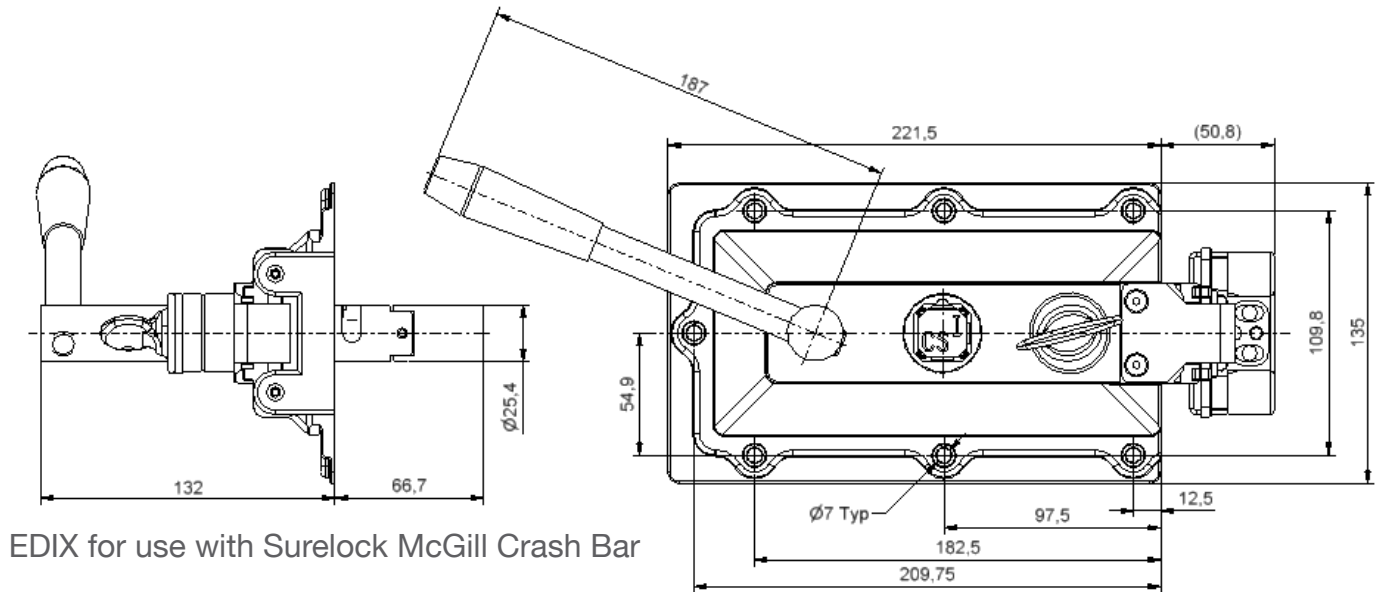


Drawing

Dimensions:
in mm

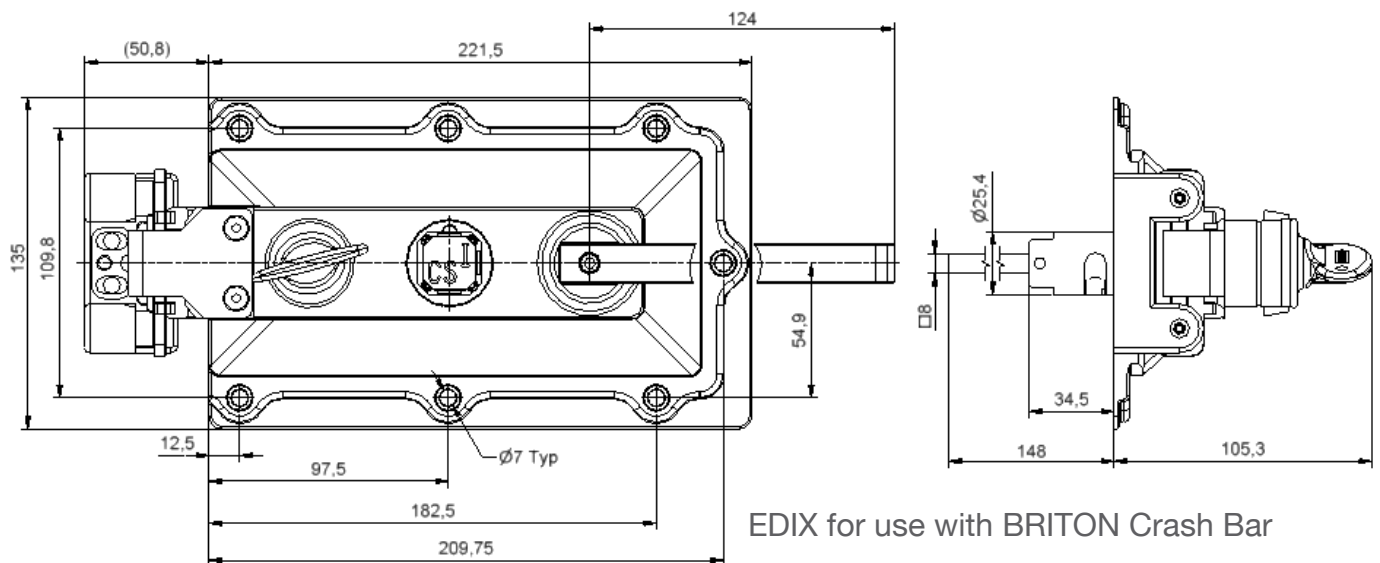
Note: For safe mounting, use security screws

EDIX, Hand 1



EDIX for use with Surelock McGill Crash Bar

EDIX, Hand 2



EDIX for use with BRITON Crash Bar

Order Information

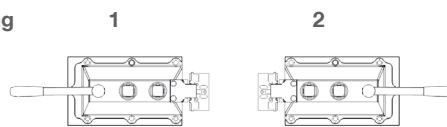
	Product Type	1	2	3	4	5*	6
Part Number	EDIX						
Example	EDIX	FS	S	BRI	1	(LC)	TBA

1	Lock portion type	FS ⁽¹⁾ / Q ⁽¹⁾
2	Material	S = Stainless steel, standard
3	Crash bar type	SUR = SURELOCK McGill crash bar BRI = BRITON crashbar
4	Handing	1 = Left hinged door ⁽¹⁾ 2 = Right hinged door ⁽¹⁾
5*	Optional	LC = Less crash bar MS = M/S crash bar
6	Lock portion symbol: Please advise for each lock portion separately as isolation key/lock symbol and personnel key/lock symbol	FS ⁽¹⁾ up to 3 characters / Q ⁽¹⁾ up to 6 characters

(1) **FS - Lock type** Up to 3 characters **Q - Lock type** Up to 6 characters



(2) **Handing**



Special constructions available upon enquiry

Contact Information

Castell Safety International Ltd.
The Castell Building
217 Kingsbury Road
London, England NW9 9PQ

t: +44 (0) 20 8200 1200
f: +44 (0) 20 8905 9378
e: uksales@castell.com

Castell Safety International Ltd.
Oskar-Jäger-Strasse 137
50825 Köln
Germany

t: +49 (0) 221 1694 794
f: +49 (0) 221 1694 795
e: vertrieb@castell.com

Castell Interlocks Inc.
Suite 800
150 N Michigan Avenue,
Chicago, Illinois 60601
USA

t: +1.312.360.1516
f: +1.312.268.5174
e: ussales@castell.com

Castell Safety China
Building 1, No. 123,
Lane 1165, Jindu Road,
Minhang District,
Shanghai 201108, China.

t: +86 21 61519023
f: +86 21 61519030
e: chinasales@castell.com

While every effort has been made to ensure the accuracy of the information provided, no liability can be taken for any errors or omission.
Castell Safety International Limited reserves the right to alter specifications and introduce improvements without prior notice.