

The KC Lock is a key operated mechanical bolt interlock suitable for the control of electrical switchgear. The standard unit comes with a 16 mm diameter bolt fitted with a claw, that is used to control the rotation or movement of the operating handles or toggles of electrical switchgear. The bolt length and claw dimensions are variable to suit the particular requirement. The lock is manufactured in brass or stainless steel making it ideal for use in harsh or corrosive environments.

K-FSS (Form 4)

Operation

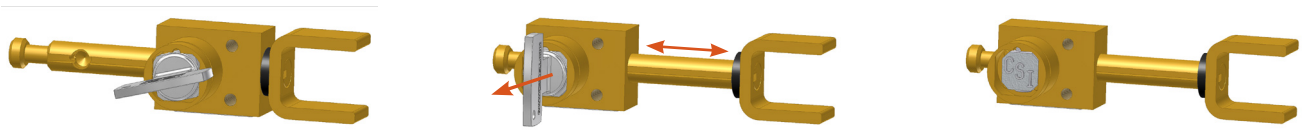
The Castell claw interlocks range is used in switchgear control to lock off power supply and control accesses to hazardous areas.

KC Claw Interlock, Form 4

① Key is trapped, claw bolt is retracted. Switch is unlocked or in ON position.

② Extend the claw bolt. Then turn and release key to lock the claw in extended position and lock the switch OFF.

③ Key is free, claw bolt is extended and switch is locked OFF.



1. While the claw bolt is retracted, the switch is in ON position. The mechanism is unlocked while the key is trapped.
2. Extend the claw bolt manually and lock the claw in extended position by turning and releasing the key. This locks the switch in OFF position.
3. The released key can be used to access a hazardous area via an access interlock. The switch cannot be unlocked and switched on until the key is repalced and turned in the KC claw interlock.

The standard KC claw interlock comes with a 16mm diameter bolt fitted with a claw. The bolt length and claw dimensions are variable and need to be advised when ordering.

Usage

The KC claw interlock is designed to be part of a safety system and is used to lock off switches which then allows to gain access to a hazardous area.



The KC claw interlock is not designed for security purposes, such as external access to a building.

No hazardous substances were used in the manufacture of this product. The product can be disposed of in standard waste.

Installation

The housing of the KC claw interlock should normally be mounted to a panel using suitable fasteners (please refer to drawing on page 4 for more details)



IMPORTANT:

The interlock should be mounted using anti-tamper fasteners to prevent unauthorised removal.



The KC claw interlock must be installed by a competent and qualified person who has read and understood these instructions. Please retain this document in your technical file.

Maintenance

Periodic visual checks should be carried out by the site manager / safety officer.
Do not lubricate lock barrel with oil or grease, use CK Dry Powder Graphite if necessary.



In case of defects being detected please contact your nearest Castell Support Department for further actions.
Please see Contact section for contact details.

Technical Data

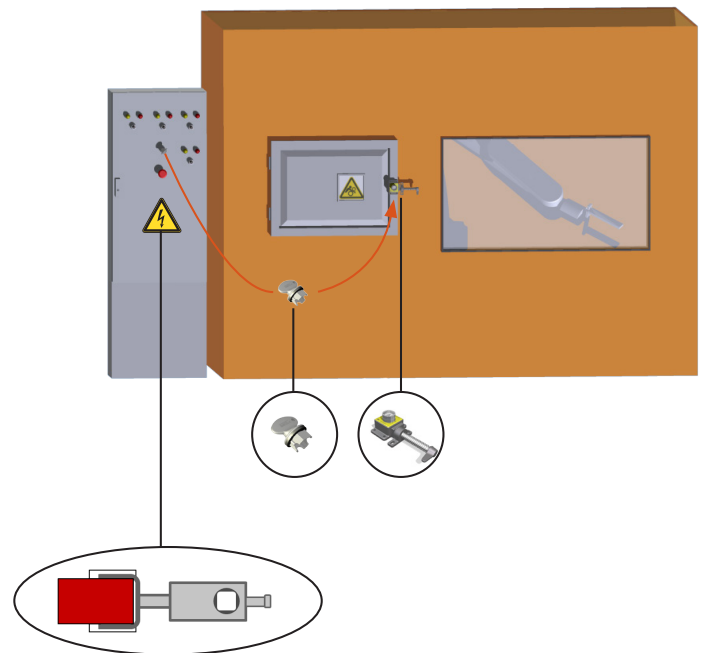
Temperature rating	Minimum: -40°C [-40°F] ice free for Q & FS Type
	Maximum: 107°C [224,6°F] for Q Type/140°C [284°F] for FS Type
Type of mounting	surface mount using suitable fasteners (please refer to drawing on page 4 for more details)
Weight	N/A
Material	Brass/Stainless steel
MTTF Certification	Available on request

Application

The Castell KC claw interlock is used as a part of a safety system, typically in machine guarding applications. It is usually used in combination with an Access Interlock such as the Salus for part body access or an Access Interlock with an exchange key for full body access control.

While the power supply is switched on, the key is trapped in the KC claw interlock. To lock off the power supply switch, manually edrive the bolt to extended position. This will release the key keeping the bolt extended and the switch locked off. The key is released and taken by the personnell to unlock the AI access interlock on the HV cabinet. While the access door is opened, the key remains trapped in the AI lock.

The system has to be designed so that the bolt of the KC claw interlock cannot be retracted to unlock the power supply until the door to the HV cabinet is locked, the key removed from AI access lock and the replaced into the KL claw interlock.



KC claw interlock:
Switch locked OFF (bolt extended), key released

EC-Declaration

We, the manufacturers, declare that the components, detailed herein and placed on the market, comply with all the essential health and safety requirements applying to them.

Empowered signatory:

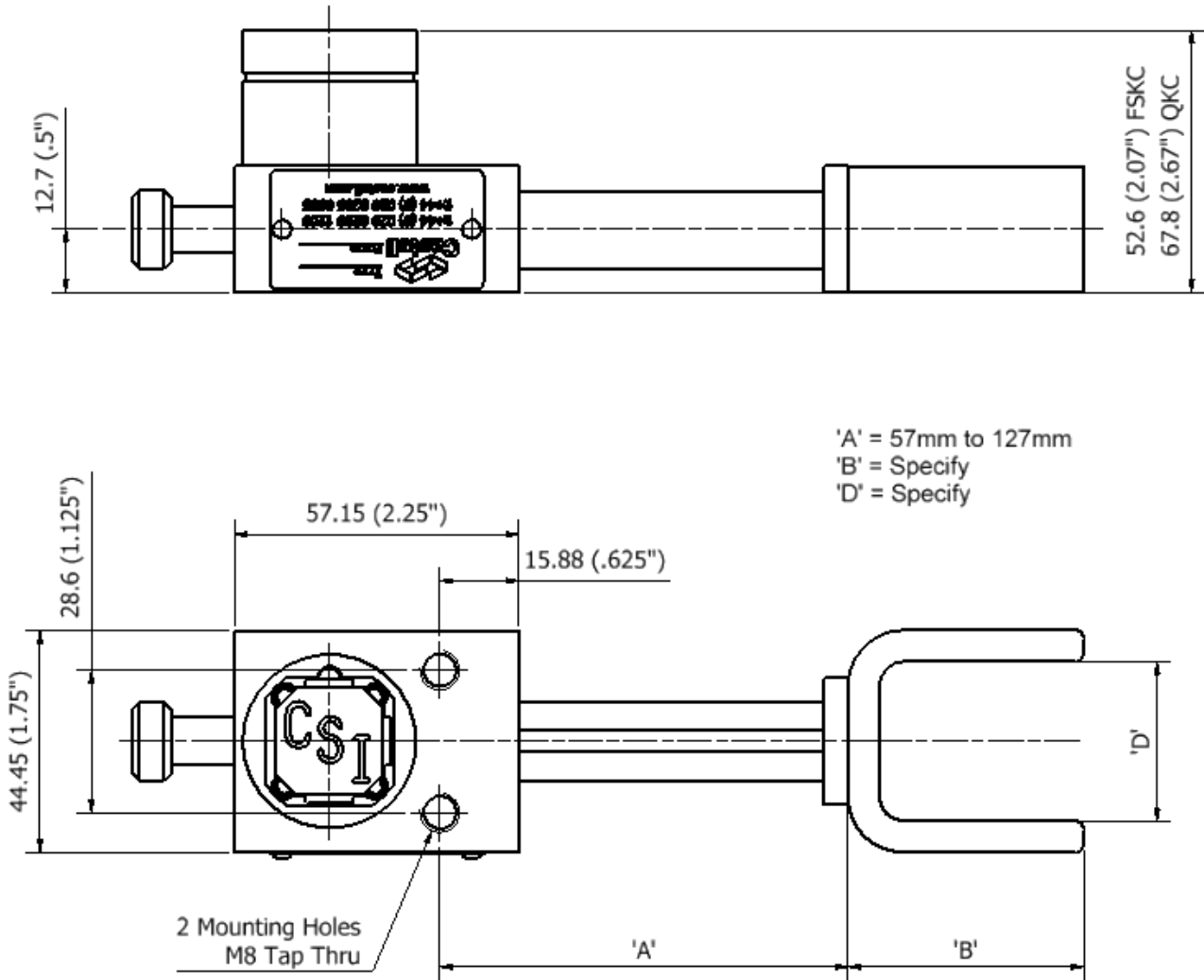
Mr T.C. Whelan
Managing Director



Drawing

Dimensions:
in mm

Note: For safe mounting, use security screws



Order Information

	Product Type	1	2	3
Part Number	KC			
Example	KC	FS	B	4

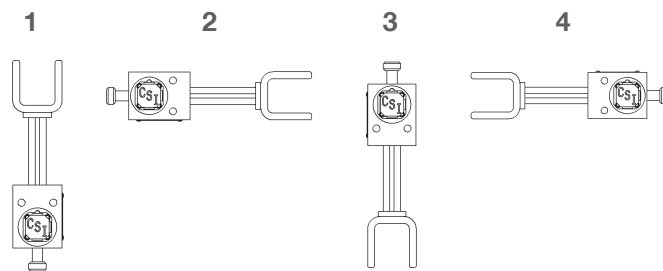
4	19.1mm	A Dimension
5	60mm	B Dimension
6	28.9mm	D Dimension
7	ABC	Lock Portion Symbol

1	Lock portion type	FS ⁽¹⁾ / Q ⁽¹⁾
2	Material	B = Brass / S = Stainless steel
3	Form	1 / 2 / 3 / 4 ⁽²⁾
4	A dimension (bolt travel)	please specify: from 57mm to 127mm
5	B dimension (see page 4 for claw details)	please specify
6	D dimension (see page 4 for claw details)	please specify
7	Lock portion symbol	FS ⁽¹⁾ up to 3 characters / Q ⁽¹⁾ up to 6 characters

(1) **FS - Lock type** Up to 3 characters **Q - Lock type** Up to 6 characters



(2) **Form**



Special construction available upon enquiry

Contact Information

Castell Safety International Ltd.
The Castell Building
217 Kingsbury Road
London, England NW9 9PQ

t: +44 (0) 20 8200 1200
f: +44 (0) 20 8905 9378
e: uksales@castell.com

Castell Safety International Ltd.
Oskar-Jäger-Strasse 137
50825 Köln
Germany

t: +49 (0) 221 1694 794
f: +49 (0) 221 1694 795
e: vertrieb@castell.com

Castell Interlocks Inc.
Suite 800
150 N Michigan Avenue,
Chicago, Illinois 60601
USA

t: +1.312.360.1516
f: +1.312.268.5174
e: ussales@castell.com

Castell Safety China
Building 1, No. 123,
Lane 1165, Jindu Road,
Minhang District,
Shanghai 201108, China.

t: +86 21 61519023
f: +86 21 61519030
e: chinasales@castell.com

While every effort has been made to ensure the accuracy of the information provided, no liability can be taken for any errors or omission. Castell Safety International Limited reserves the right to alter specifications and introduce improvements without prior notice.