

The KE lock is a one piece access interlock comprising of a main body and sliding bolt. The lock is designed to suit sliding doors of various sizes and thicknesses. The interlock is manufactured in brass and comes with the brass figure or Q type lock portions and is ideal for use in dry, non-corrosive environments where the lock is subject to medium to heavy use. Typical industries using the KE lock are automotive and steel production.

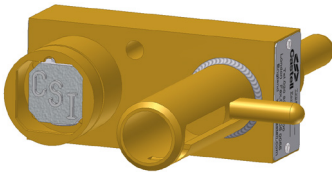
KE-FSB-6.4-4

Operation

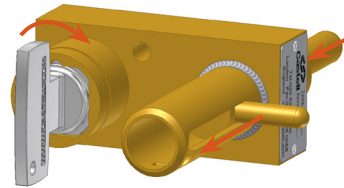
The Castell KE sliding door interlock range is used in switchgear control to inhibit movement of cams, toggles or levers.

KE sliding door lock, Form 4

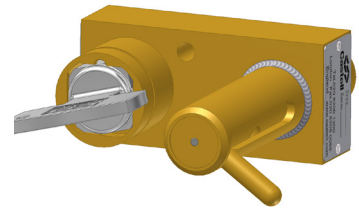
① Key is free, bolt is extended



② Insert and turn key to drive bolt



③ Key is trapped, bolt is retracted



1. While the side bolt is extended, the key is free and usually held in the power isolation unit.
2. Inserting and turning the key in the KE door interlock allows the bolt to retract unlocking the access door to the machine area. This will trap the key in the lock.
3. The key stays trapped while the bolt is retracted.

The length of the bolt is 50,8mm. The key is free when the bolt is extended. Insertion and rotation clockwise of the key will retract the bolt. The key will be trapped in the bolt retracted position.

Usage

The KE sliding door lock should be used to allow safe control of sliding doors.



The KE lock is not designed for security purposes, such as a safe or external access to a building.

No hazardous substances were used in the manufacture of this product. The product can be disposed of in standard waste.

Installation

The housing of the KE sliding door lock should normally be mounted to a panel using suitable fasteners. See drawing on page 4 for more installation details.



IMPORTANT:

The interlock should be mounted using anti-tamper fasteners to prevent unauthorised removal.



The KE sliding door lock must be installed by a competent and qualified person who has read and understood these instructions. Please retain this document in your technical file.

Force required to shear lock bolt is 19KN.

Maintenance

Periodic visual checks should be carried out by the site manager / safety officer.
Do not lubricate lock barrel with oil or grease, use CKE Dry Powder Graphite if necessary.



In case of defects being detected please contact your nearest Castell Support Department for further actions.
Please see Contact section for contact details.

Technical Data

Temperature rating	Minimum: -40°C [-40°F] ice free for Q & FS Type
	Maximum: 107°C [224,6°F] for Q Type/140°C [284°F] for FS Type
Type of mounting	Surface mount using suitable fasteners (please refer to drawing on page 4 for more details)
Weight	Brass: 0,7 kg
Material	Brass/Stainless steel
MTTF Certification	Available on request

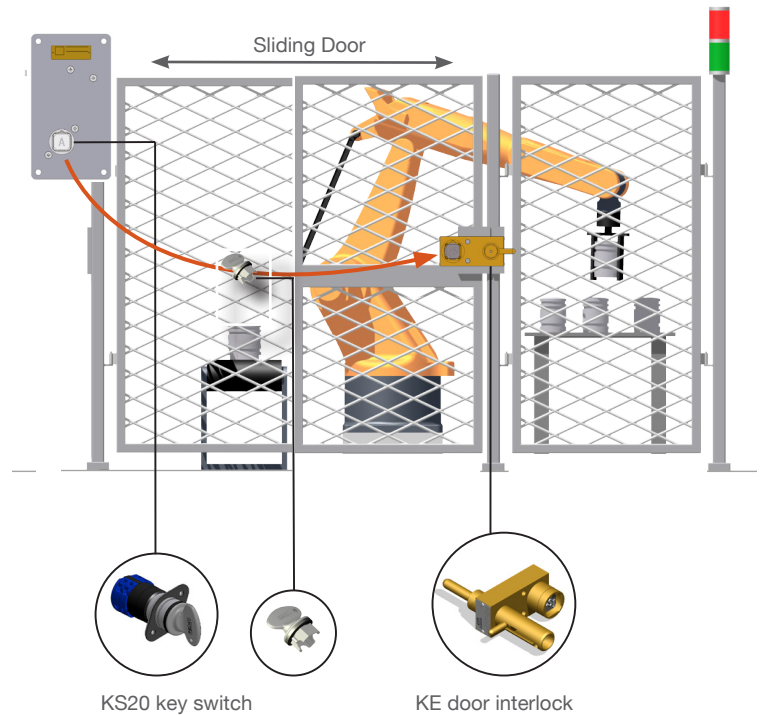
Application

The KE bolt interlocks are used as a part of a safety system, typically in machine guarding applications.

The power supply to the system is switched on and the access door to the hazardous area is locked closed.

The removal of the isolation key in the KS20, isolates the electrical supply to the LV Panel. This key is then used to unlock the KE sliding door interlock on the sliding door.

The power cannot be switched on until the door is closed, the bolt is trapped in the KE sliding door interlock and the key returned to the KS20.



EC-Declaration

We, the manufacturers, declare that the components, detailed herein and placed on the market, comply with all the essential health and safety requirements applying to them.

Empowered signatory:

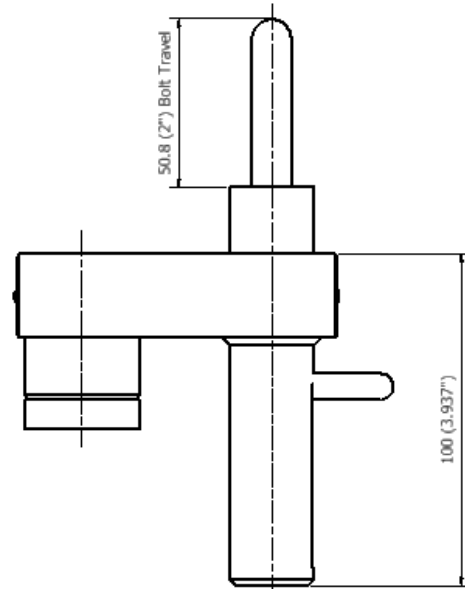
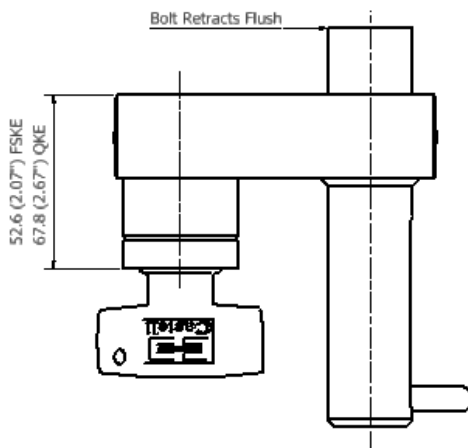
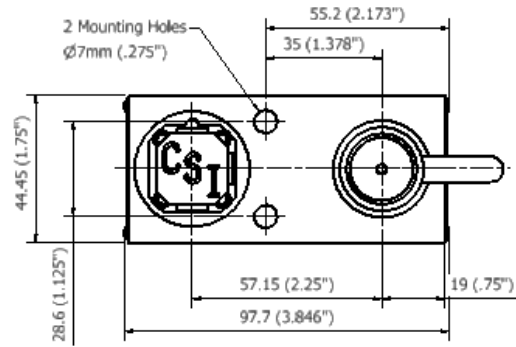
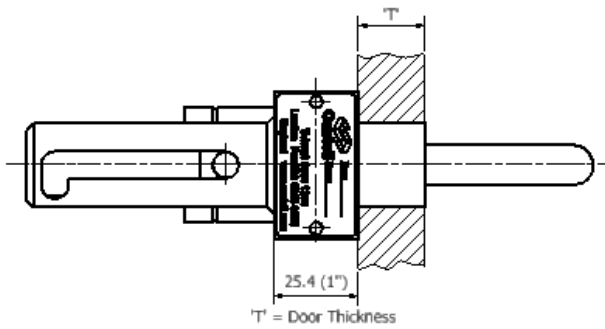
Mr T.C. Whelan
Managing Director



Drawing

Dimensions:
in mm

Note: For safe mounting, use security screws



Order Information

Product Type **1** **2** **3**
Part Number - -
Example - -
 4

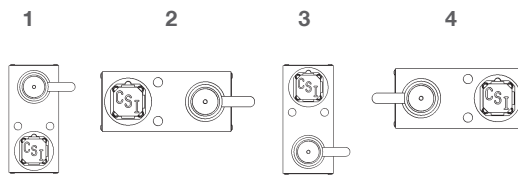
 5

1	Lock portion type	FS ⁽¹⁾ / Q ⁽¹⁾
2	Material	B = Brass (standard)
4	Form	1 / 2 / 3 / 4 ⁽²⁾
5	Door thickness	please advise
6	Lock portion symbol	FS ⁽¹⁾ up to 3 characters / Q ⁽¹⁾ up to 6 characters

(1) **FS - lock type** **Q - lock type**
 Up to 3 characters Up to 6 characters




(2) **Form**



Special construction available upon enquiry

Accessories

	Product	Part number
	Flip Cap	FLIP-S

Contact Information

Castell Safety International Ltd.
 The Castell Building
 217 Kingsbury Road
 London, England NW9 9PQ

t: +44 (0) 20 8200 1200
 f: +44 (0) 20 8905 9378
 e: uksales@castell.com

Castell Safety International Ltd.
 Oskar-Jäger-Strasse 137
 50825 Köln
 Germany

t: +49 (0) 221 1694 794
 f: +49 (0) 221 1694 795
 e: vertrieb@castell.com

Castell Interlocks Inc.
 Suite 800
 150 N Michigan Avenue,
 Chicago, Illinois 60601
 USA

t: +1.312.360.1516
 f: +1.312.268.5174
 e: ussales@castell.com

Castell Safety China
 Building 1, No. 123,
 Lane 1165, Jindu Road,
 Minhang District,
 Shanghai 201108, China.

t: +86 21 61519023
 f: +86 21 61519030
 e: chinasales@castell.com

While every effort has been made to ensure the accuracy of the information provided, no liability can be taken for any errors or omission. Castell Safety International Limited reserves the right to alter specifications and introduce improvements without prior notice.