

KP2-FSB-6.4-FR-4

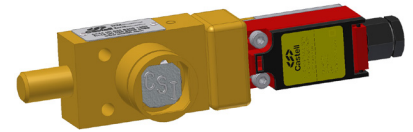
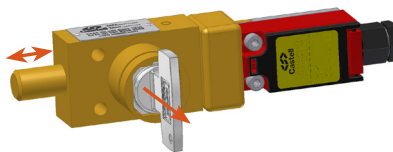
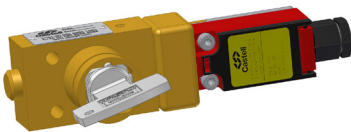
The KP bolt interlock is a key operated mechanical bolt interlock complete with position monitoring electrical contacts for the control of electrical switchgear or valves. The KP lock comes with a 16 mm diameter bolt of variable length, that is used to control the rotation or movement of operating handles or toggles. The KP1 comes with 2N/C 1N/O 10 amp contacts and the KP2 has 4N/C 2N/O 10 amp contacts, these are used to provide remote indication of the bolt position or to switch the control circuitry on the machine. The locks are manufactured in brass or stainless steel making them ideally suited to use in harsh or corrosive environments.

Operation

The Castell KP bolt interlocks with safety switches are used in switchgear control to break circuitry and inhibit movement of cams, toggles or levers simultaneously.

KP bolt interlock with safety switch, rear entry, form 4

- ① Key is trapped, bolt is retracted.
- ② Turn and release key to drive the bolt and change the switch contacts condition.
- ③ Key is free, bolt is extended, switch contacts are reversed.



1. While the power is on, the key is trapped the side bolt is retracted. The KP switch contacts are opened.
2. Turning the key drives the bolt to extended position, e.g. locking off the movement of a disconnecter. Turning the key also changes the contacts in the KP switch, which is connected to a traffic light or other display. The display then indicates that the access can be gained in the machine area. The released key can now be taken to open the door lock to the machine area.
3. The power disconnecter cannot be unlocked until the key is replaced and turned in the KP bolt interlock.

The KP bolt interlock is available as a KP1 or KP2 version with either one or two safety switches respectively. The KP bolt interlock is available with as rear or front entry mounted switch (panel or surface mount respectively).

The length of the bolt is available in various lengths to suit the application, but the travel of the bolt is always 19,05 mm. The key is trapped when the bolt is extended. Rotation of the key anti clockwise will retract the bolt and chnge contacts in the switch.

Usage

The KP bolt interlock with safety switch should be used to allow safe control of valves or disconnect switches.



The KP bolt interlock is not designed for security purposes, such as a safe or external access to a building.

Installation

The housing of the KP Bolt Interlock can be mounted either to a panel or on a surface using suitable fasteners. Please refer to drawing on page 4 for more details



IMPORTANT:

The interlock should be mounted using anti-tamper fasteners to prevent unauthorised removal.



The KP bolt interlock must be installed by a competent and qualified person who has read and understood these instructions. Please retain this document in your technical file.

Force required to shear lock bolt is 30KN for stainless steel and 19KN for brass interlocks.

Maintenance

Periodic visual checks should be carried out by the site manager / safety officer.
Do not lubricate lock barrel with oil or grease, use CK Dry Powder Graphite if necessary.



In case of defects being detected please contact your nearest Castell Support Department for further actions.
Please see Contact section for contact details.

Technical Data

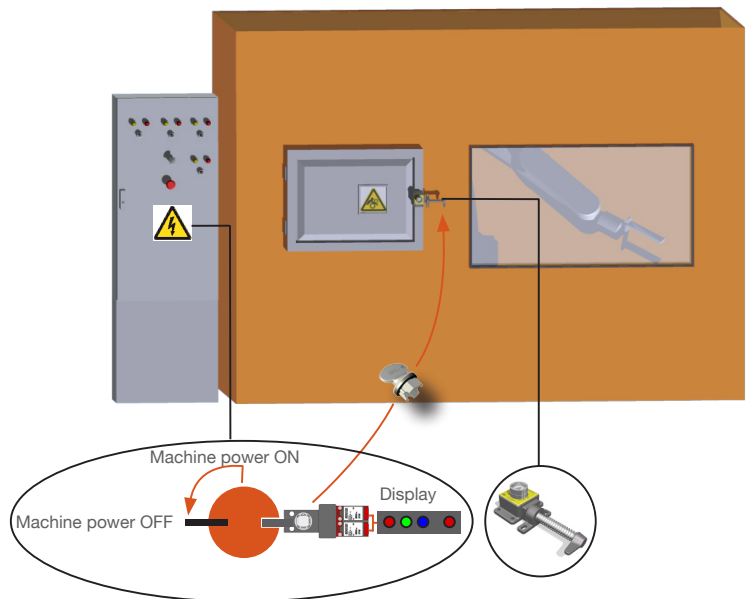
Temperature rating	-25°C ice free to +55 °C
Type of mounting	panel or surface mount using suitable fasteners (please refer to drawing on page 4 for more details)
Weight	KP1: Front of board mount = 0,8 kg / back on board mount = 0,6 kg KP2: Front of board mount = 0,8 kg / back of board mount = 1 kg
Material	Brass/Stainless steel
Power isolation	10 amp
Switch approvals	CE, CCC, cCSAus, IP65
MTTF Certification	Available on request

Application

Castell KP bolt interlocks with safety switches are used as a part of a safety system, typically in switchgear applications.

The electrical supply of the machine is on, and the protective door to the hazardous area is locked. The key is trapped in the KP bolt interlock. Before entering the machine area the disconnecter lever needs to be rotated to isolate the machine. To lock the disconnecter lever in the safe position the key in the KP bolt interlock needs to be turned extending the bolt of the KP. Removing the key traps the bolt in the extended position. The operation of the KP also changes the contacts in the KP switch. This is connected to a traffic light or another display, indicating the access to machine area can be gained.

The removed key is taken to the AI access interlock to open the door. The power supply cannot be switched back on while the key is trapped in the access interlock.



EC-Declaration

We, the manufacturers, declare that the components, detailed herein and placed on the market, comply with all the essential health and safety requirements applying to them.

Empowered signatory:

Mr T.C. Whelan
Managing Director

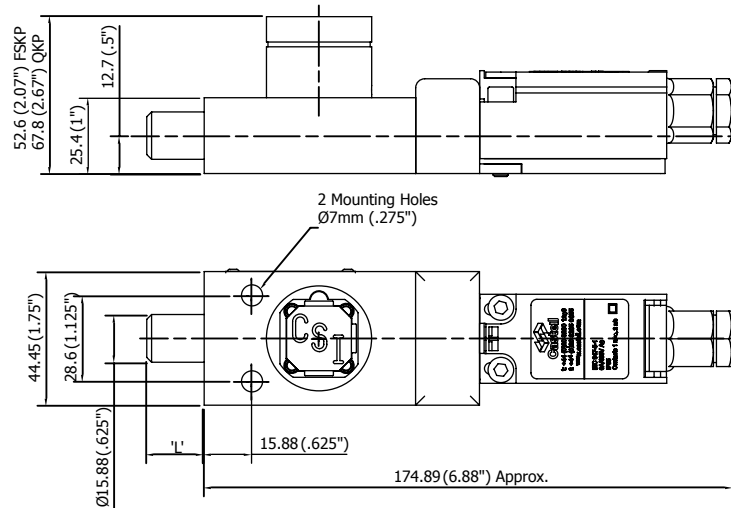


Drawing

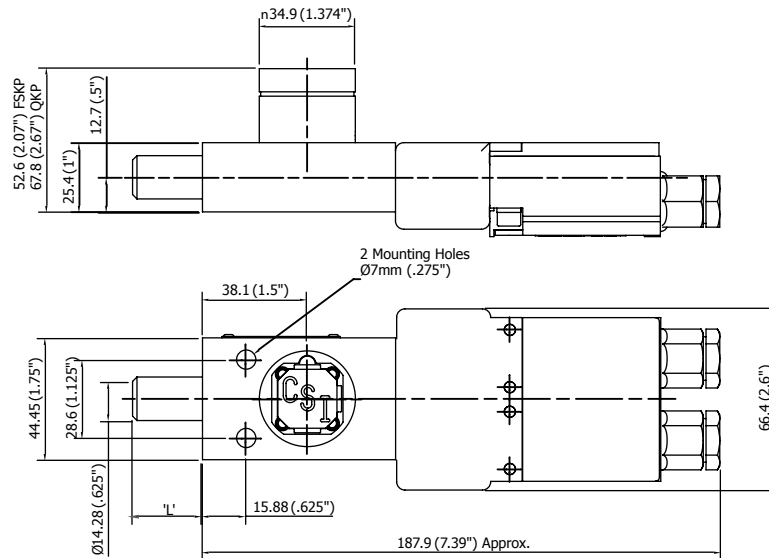
Dimensions:
in mm

Note: For safe mounting, use security screws

KP1, FRONT MOUNTED SWITCH



KP2, REAR MOUNTED SWITCH



L Dimension Retracted bolt length (in mm)	Extended bolt length (in mm)
0	19,05
6,35	25,40
12,70	31,75
19,05	38,10
25,40	44,45

While every effort has been made to ensure the accuracy of the information provided, no liability can be taken for any errors or omission. Castell Safety International Limited reserves the right to alter specifications and introduce improvements without prior notice.

Order Information

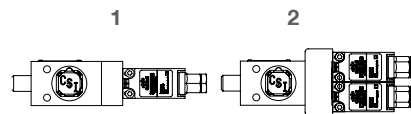
	Product Type	1	2	3	4	5	6
Part Number	KP						
Example	KP	2	FS	B	6.4	FR	4
		7					
	ABC						

1	Switch specification (number of switches)	1 = 2NC/1NO ⁽²⁾ 2 = 4NC/2NO ⁽²⁾
2	Lock portion type	FS ⁽¹⁾ / Q ⁽¹⁾
3	Material	B = Brass / S = Stainless steel
4	L Dimension (bolt length when retracted) in mm	0 / 6,4 / 12,7 / 19,1 / 25,4
5	Switch entry	FR = Front entry switch / RE = Rear entry switch ⁽³⁾
6	Form	1 / 2 / 3 / 4 ⁽⁴⁾
7	Lock portion symbol	FS ⁽¹⁾ up to 3 characters / Q ⁽¹⁾ up to 6 characters

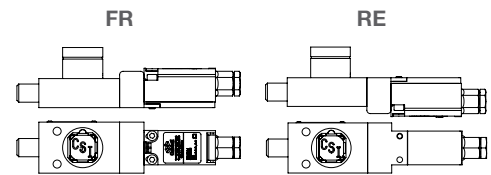
(1) **FS - Lock type** Up to 3 characters
Q - Lock type Up to 6 characters



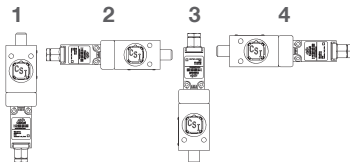
(2) **Switch specification**



(3) **Switch entry**




(4) **Form**



Special construction available upon enquiry

Accessories

	Product	Part number
	Flip Cap	FLIP-S

Contact Information

Castell Safety International Ltd.
 The Castell Building
 217 Kingsbury Road
 London, England NW9 9PQ

t: +44 (0) 20 8200 1200
 f: +44 (0) 20 8905 9378
 e: uksales@castell.com

Castell Safety International Ltd.
 Oskar-Jäger-Strasse 137
 50825 Köln
 Germany

t: +49 (0) 221 1694 794
 f: +49 (0) 221 1694 795
 e: vertrieb@castell.com

Castell Interlocks Inc.
 Suite 800
 150 N Michigan Avenue,
 Chicago, Illinois 60601
 USA

t: +1.312.360.1516
 f: +1.312.268.5174
 e: ussales@castell.com

Castell Safety China
 Building 1, No. 123,
 Lane 1165, Jindu Road,
 Minhang District,
 Shanghai 201108, China.

t: +86 21 61519023
 f: +86 21 61519030
 e: chinasales@castell.com

While every effort has been made to ensure the accuracy of the information provided, no liability can be taken for any errors or omission. Castell Safety International Limited reserves the right to alter specifications and introduce improvements without prior notice.