



KSP-FSS-0-4

The KSP is a spring loaded version of the Castell K Lock using an internal spring to automatically extend the bolt to the full extend position when permitted to do so. The KSP lock is a key operated mechanical bolt interlock that is suitable for the control and locking of mechanisms. The standard unit comes with a 15.88 mm diameter bolt that is used to lock movement. The bolt is retracted against the spring by turning the key. This process enables automatic release of the key under certain permitted conditions.

Operation

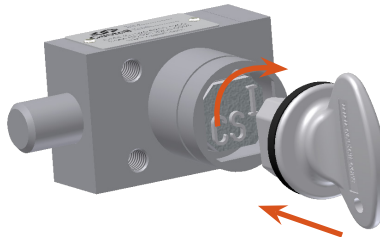
The Castell KSP spring bolt interlock is used to inhibit movement of mechanical systems.

KSP bolt interlock, Form 4

① Key is free, bolt is extended



② Insert and turn key to drive bolt



③ Key is trapped, bolt is retracted



1. While the side bolt is extended, the key is free. The mechanism is locked.
2. Inserting and turning the key retracts the bolt against the spring load. This will trap the key into the lock. The key must be held in this position until bolt movement is inhibited by the mechanism.
3. The key stays trapped while the bolt is retracted. The bolt extends only when permitted to do so by the mechanism.

The travel of the bolt is always 19,05 mm. The key is free when the bolt is extended. Insertion and rotation clockwise of the key will retract the bolt. The key will be trapped in the bolt retracted position.

Usage



The KSP spring bolt interlocks are used as a part of a safety system to allow safe control of mechanisms.

The KSP bolt interlock is not designed for security purposes, such as a safe or external access to a building. The KSP bolt interlock is not designed to interlock access gates or doors. Please refer to AI access interlocks.

No hazardous substances are used in the manufacture of this product. The product can be disposed of in standard waste.

Installation

The housing of the KSP bolt interlock should normally be mounted to a panel using suitable fasteners. Please refer to drawing on page 4 for more installation details.



IMPORTANT:

The interlock should be mounted using anti-tamper fasteners to prevent unauthorised removal.



The KSP bolt interlock must be installed by a competent and qualified person who has read and understood these instructions. Please retain this document in your technical file.

Force required to shear lock bolt is 30KN for stainless steel and 19KN for brass interlocks.

Maintenance

Periodic visual checks should be carried out by the site manager / safety officer. Do not lubricate lock barrel with oil or grease, use CK Dry Powder Graphite if necessary.



In case of defects being detected please contact your nearest Castell Support Department for further actions. Please see Contact section for contact details.

Technical Data

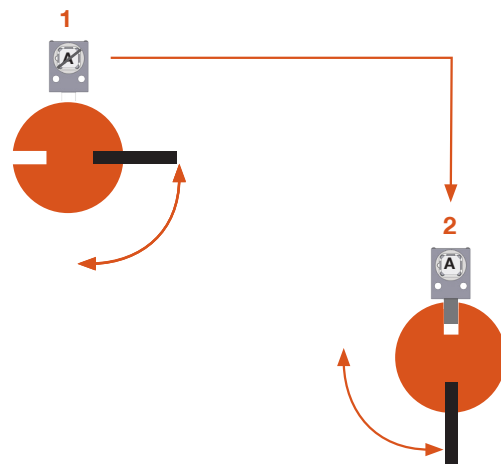
Temperature rating	Minimum: -40°C [-40°F] ice free for Q & FS Type
	Maximum: 107°C [224,6°F] for Q Type/140°C [284°F] for FS Type
Type of mounting	Surface mount using suitable fasteners (please refer to drawing on page 4 for more details)
Weight	Brass: 0,7 kg
	Stainless steel: 0,7 kg
Material	Brass/Stainless steel
MTTF Certification	Available on request

Application

KSP bolt interlocks are used to allow safe locking of simple actuating mechanisms.

The bolt is held in the retract position by the mechanism, trapping the key. Whenever the aperture in the lever or mechanism is aligned, the bolt is permitted to extend using its internal spring action and will be locked in the extended position. The key can then be removed.

The key must be inserted and turned, retracting the bolt, to allow the actuating lever to be moved again.



EC-Declaration

We, the manufacturers, declare that the components, detailed herein and placed on the market, comply with all the essential health and safety requirements applying to them.

Empowered signatory:

Mr T.C. Whelan
Managing Director

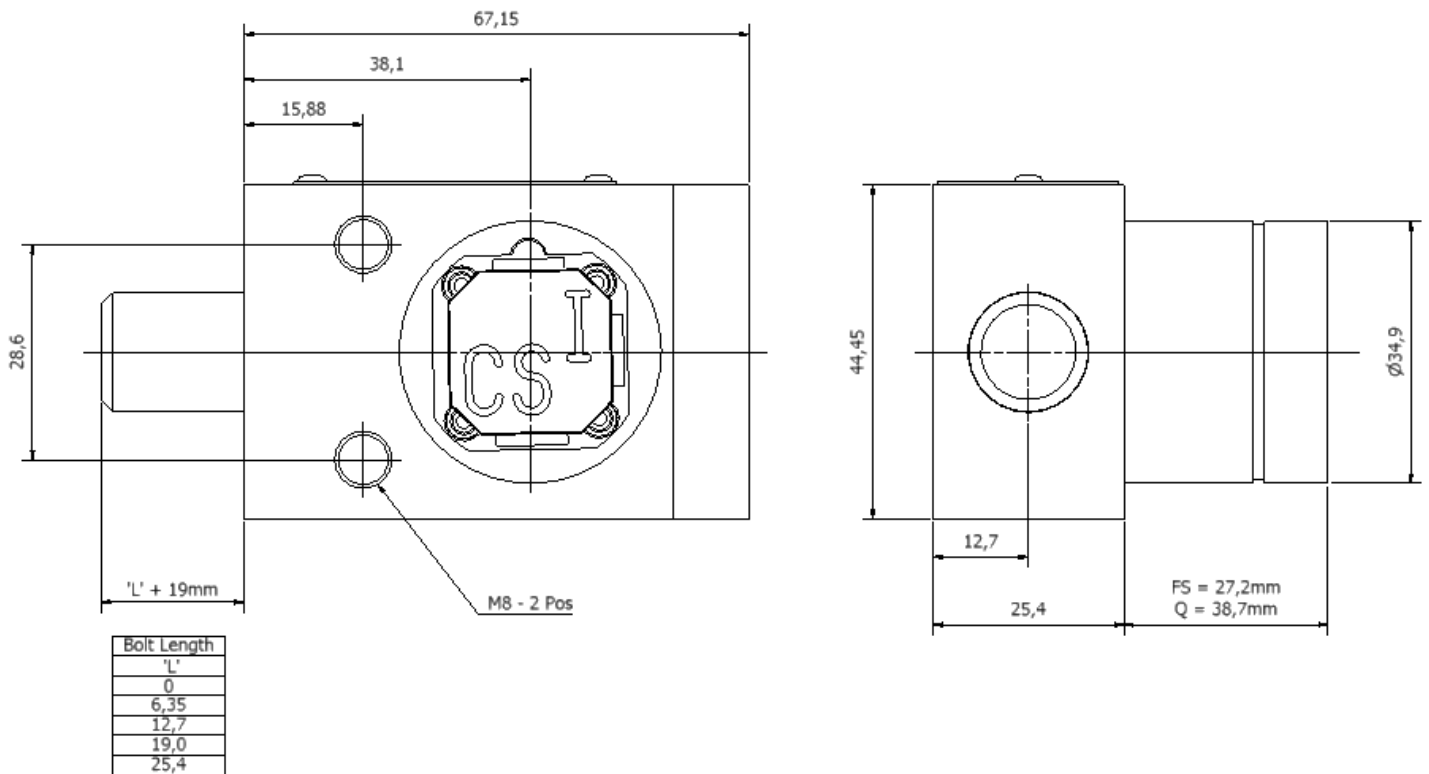


Drawing

Dimensions:
in mm

Note: For safe mounting, use security screws

KSP, form 4



Order Information

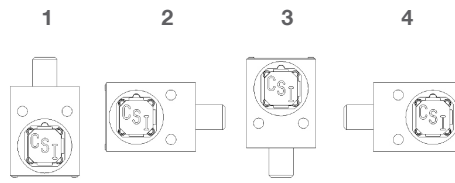
	Product Type	1	2	3	4
Part Number	KSP				
Example	KSP	FS	B	0	1
	5				
	ABC				

1	Lock portion type	FS ⁽¹⁾ / Q ⁽¹⁾
2	Material	B = Brass / S = Stainless steel
3	L Dimension (bolt length when retracted) in mm	0 / 6,35 / 12,7 / 19 / 25,4
4	Form	1 / 2 / 3 / 4 ⁽²⁾
5	Lock portion symbol	FS ⁽¹⁾ up to 3 characters / Q ⁽¹⁾ up to 6 characters

(1) **FS - Lock type** Up to 3 characters **Q - Lock type** Up to 6 characters




(2) **Form**



Special construction available upon enquiry

Accessories

	Product	Part number
	Flip Cap	FLIP-S

Contact Information

Castell Safety International Ltd.
The Castell Building
217 Kingsbury Road
London, England NW9 9PQ

t: +44 (0) 20 8200 1200
f: +44 (0) 20 8905 9378
e: uksales@castell.com

Castell Safety International Ltd.
Oskar-Jäger-Strasse 137
50825 Köln
Germany

t: +49 (0) 221 1694 794
f: +49 (0) 221 1694 795
e: vertrieb@castell.com

Castell Interlocks Inc.
Suite 800
150 N Michigan Avenue,
Chicago, Illinois 60601
USA

t: +1.312.360.1516
f: +1.312.268.5174
e: ussales@castell.com

Castell Safety China
Building 1, No. 123,
Lane 1165, Jindu Road,
Minhang District,
Shanghai 201108, China.

t: +86 21 61519023
f: +86 21 61519030
e: chinasales@castell.com

While every effort has been made to ensure the accuracy of the information provided, no liability can be taken for any errors or omission. Castell Safety International Limited reserves the right to alter specifications and introduce improvements without prior notice.