

OLYM-S24D-C24D

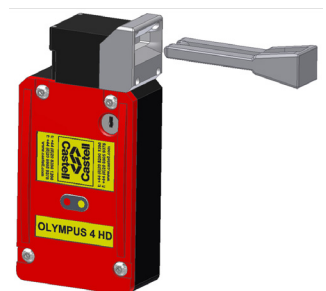
The Olympus 4HD is a heavy duty solenoid controlled access lock available with either a stainless steel tongue actuator or a heavy duty handle. The Olympus 4HD is capable of supporting Category 4 safety systems through its 2n/c 1n/o contacts and is ideal for all types of hinging or sliding access points with a good tolerance for misaligned guarding. The unit is locked by the solenoid when it is de-energized and opened when energized. A mechanical key override facility for the solenoid comes standard. The Olympus 4HD is ideal for use on production cells and automated production and assembly lines where fast access is required.

### Operation

The Castell Olympus Solenoid controlled access lock is typically used for machine isolation in applications where a machine has to finish a cycle prior to isolation.

#### OLYMPUS Heavy Duty Solenoid Controlled Access Lock

- ① Tongue actuator is trapped. No LEDs are lit.
- ② An external signal energises the solenoid. The yellow LED illuminates. Retract the tongue actuator.
- ③ Solenoid is energised and tongue actuator is released. Red and yellow LEDs are lit.



1. While the power is on and the machine is running, the solenoid, which controls the tongue, is de-energised. This traps the tongue in the OLYMPUS unit.
2. To open the guard the machine is instructed to stop via control circuit. On stopping a signal is sent to the solenoid in the OLYMPUS unit. With the solenoid energised, the tongue actuator can be retracted to break the contacts ensuring the machine cannot restart.
3. With the tongue released the machine area can be accessed. The machine cannot restart until the tongue actuator is re-inserted and the contacts closed.

The OLYMPUS heavy duty solenoid controlled lock is available either with a stainless steel tongue actuator or heavy duty handle.

The OLYMPUS is available with different control and solenoid voltages (see order information on page 6 for more details).

### Usage

The OLYMPUS solenoid controlled access lock is designed to be part of a safety system and is typically used as an access lock combined with machine isolation function in applications where a machine has to finish a cycle prior to isolation through the tongue actuator.



The OLYMPUS solenoid controlled access lock is not designed for security purposes.

### Installation

OLYMPUS units should be mounted to a flat surface using suitable fasteners (please refer to drawing on page 4 for more details). The lock face should be sealed to the panel for ingress protection.

Cables should be connected to the switch in accordance with the applicable wiring diagrams. Ensure that the unit is bonded for earth continuity (see drawing on page 4 for more installation details).



**IMPORTANT:**

The interlock should be mounted using anti-tamper fasteners to prevent unauthorised removal.



The OLYMPUS range of solenoid controlled access lockes must be installed by a competent and qualified person who has read and understood these instructions. Please retain this document in your technical file.

### Maintenance

Periodic visual checks should be carried out by the site manager / safety officer.



In case of defects being detected please contact your nearest Castell Support Department for further actions. Please see Contact section for contact details.

### Technical Data

<b>Temperature rating</b>	Minimum: -5°C [23°F], Maximum: +40°C [104°F]*
<b>Type of mounting</b>	Panel mount using suitable fasteners (please refer to drawing on page 4 for more details)
<b>Weight</b>	4,0 kg
<b>Material</b>	Zinc alloy, stainless steel tongue*
<b>Paint Finish</b>	Gloss polyester power coat on passivated base material*
<b>Ingress Protection</b>	IP67 (DIN 400050)*
<b>MTTFd</b>	high > 385 years (31.250)*

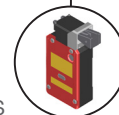
\* Source: Fortress Interlocks data sheet, document number: A\_DS\_E\_LOK\_V1.1\_DEC09

### Application

A typical application of OLYMPUS solenoid controlled access lock is machine guarding. It is usually connected to power isolators via safety relays.

When the machine is in operation the access door is locked via the de-energized solenoid in the OLYMPUS solenoid controlled access lock. To open the guard, the machine is instructed to stop via the control circuit. Once the machine has completed the cycle, an external signal is received by the solenoid. Retracting the tongue actuator will break the contacts ensuring the power is locked out.

The machine cannot be restarted until the door is closed and the tongue actuator is replaced in the OLYMPUS solenoid controlled access lock.



OLYMPUS  
Solenoid Controlled Access Lock

### EC-Declaration

We, the manufacturers, declare that the components, detailed herein and placed on the market, comply with all the essential health and safety requirements applying to them.

Empowered signatory:

Mr T.C. Whelan  
Managing Director



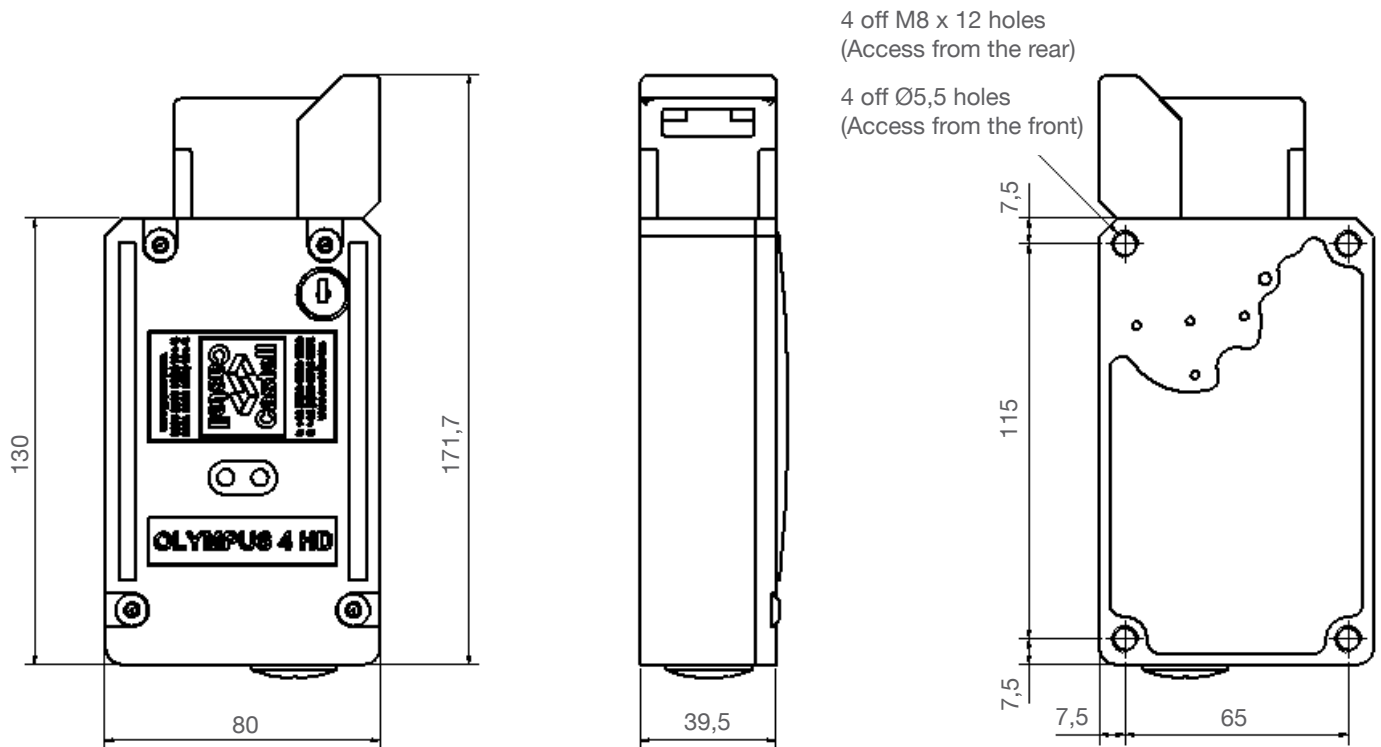
While every effort has been made to ensure the accuracy of the information provided, no liability can be taken for any errors or omission. Castell Safety International Limited reserves the right to alter specifications and introduce improvements without prior notice.

### Drawing\*

Dimensions\*:  
in mm

*Note: For safe mounting, use security screws*

OLYMPUS

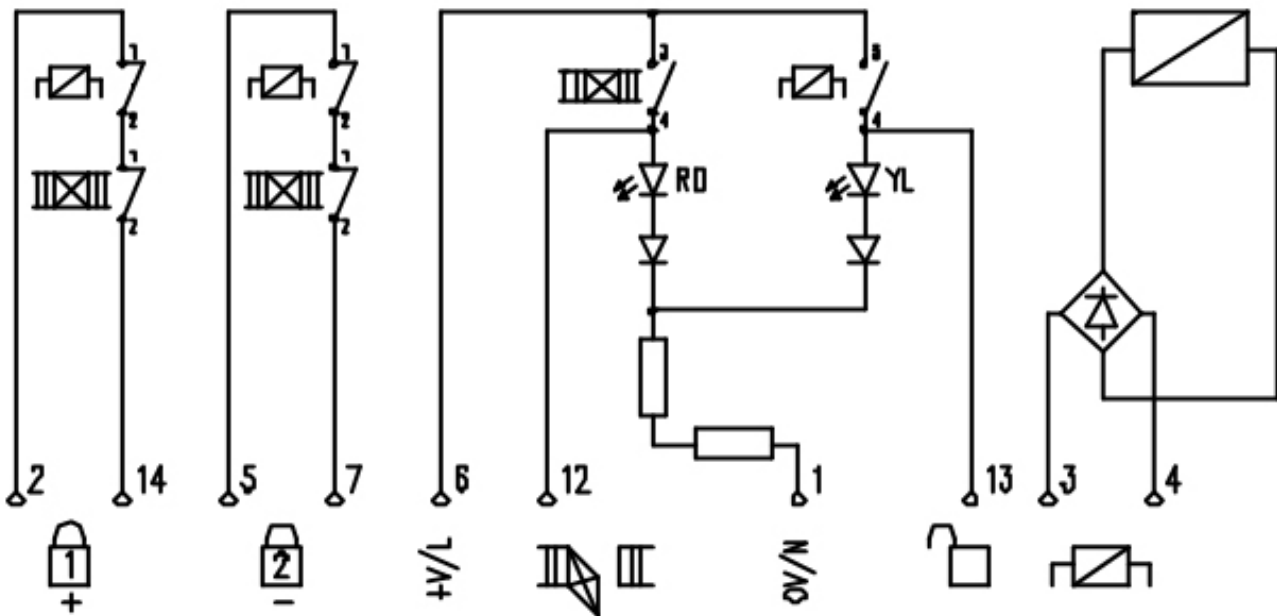


\* Source: Fortress Interlocks Data Sheet, Document Number: A\_DS\_E\_LOK\_V1.1\_DEC09

### Wiring Diagram

Note: For safe mounting, use security screws

#### OLYMPUS



\* Source: Fortress Interlocks Data Sheet, Document Number: A\_DS\_E\_LOK\_V1.1\_DEC09

### Order Information

	Product Type	1	2	3	4
Part Number	OLYM	S			
Example	OLYM	S	24	D	C 24 D

1	Solenoid Voltage	24 / 48 / 110 / 240 V
2	Solenoid Current	D = DC / A = AC
3	Control Voltage	24 / 48 / 110 / 240 V
5	Control Current	D = DC / A = AC

### Special construction available upon enquiry

### Contact Information

Castell Safety International Ltd.  
The Castell Building  
217 Kingsbury Road  
London, England NW9 9PQ

t: +44 (0) 20 8200 1200  
f: +44 (0) 20 8905 9378  
e: [uksales@castell.com](mailto:uksales@castell.com)

Castell Safety International Ltd.  
Oskar-Jäger-Strasse 137  
50825 Köln  
Germany

t: +49 (0) 221 1694 794  
f: +49 (0) 221 1694 795  
e: [vertrieb@castell.com](mailto:vertrieb@castell.com)

Castell Interlocks Inc.  
Suite 800  
150 N Michigan Avenue,  
Chicago, Illinois 60601  
USA

t: +1.312.360.1516  
f: +1.312.268.5174  
e: [ussales@castell.com](mailto:ussales@castell.com)

Castell Safety China  
Building 1, No. 123,  
Lane 1165, Jindu Road,  
Minhang District,  
Shanghai 201108, China.

t: +86 21 61519023  
f: +86 21 61519030  
e: [chinasales@castell.com](mailto:chinasales@castell.com)

While every effort has been made to ensure the accuracy of the information provided, no liability can be taken for any errors or omission. Castell Safety International Limited reserves the right to alter specifications and introduce improvements without prior notice.