

The Salus is a single key automatic access interlock for use on hinged or sliding doors. The interlock is available in both left and right hinged and sliding door configurations. The unit is manufactured in stainless steel, making it ideal for use in harsh and corrosive environments and for heavy use. Typical industries using the Salus are food, chemical, mining, steel and pharmaceutical.

SALUS-S-1

Operation

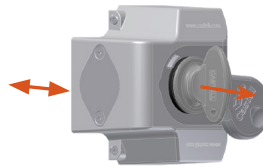
The Castell single key access interlocks are used in various applications to control part body access to hazardous areas.

SALUS access interlock, hand 1, hinged door operation

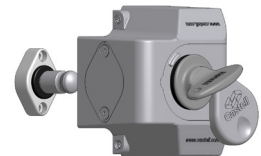
① Key is free, bolt is trapped in the lock



② Insert and turn key, to release bolt



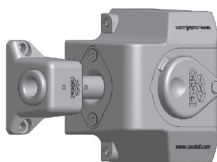
③ Key is trapped, bolt is released



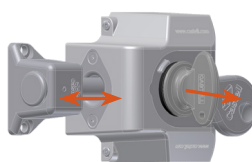
1. While the key is free, the bolt of the Salus access interlock is trapped in the mechanism. The hinged door is locked.
2. By inserting and turning the key in the access interlock, you can release the bolt. This will trap the key in the lock.
3. The key stays trapped while the bolt is released.

SALUS access interlock, hand 1, sliding door operation

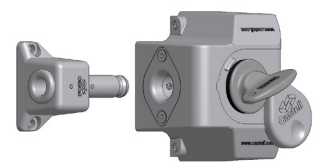
① Key is free, bolt is trapped in the lock



② Insert and turn key, to release bolt



③ Key is trapped, bolt is released



1. While the key is free, the bolt of the Salus access interlock is trapped in the mechanism. The sliding door is locked.
2. By inserting and turning the key in the access interlock, you can release the bolt. This will trap the key in the lock.
3. The key stays trapped while the bolt is released.

Usage

The Salus automatic access interlock should be used as a part of a safety system to allow safe access to potentially hazardous and dangerous areas.



The Salus interlock is not designed for security purposes, such as a safe or external access to buildings.

The Salus interlock has been tested to vibration, in accordance with BS EN 50155:2001 & IEC 61373:1999-01 up to a maximum of 150Hz). If the unit is to be subjected to vibration levels higher than this, then anti vibration pads should be used.

No hazardous substances were used in the manufacture of this product. The product can be disposed of in standard waste.

Note : The Salus product contains a locking mechanism which is activated by means of magnetic force. It is not recommended that this product be used in environments where magnetic dust or debris is present. If there is any doubt as to the suitability of this product in a particular application, please contact your local Castell representative for further clarification and to identify a suitable alternative.

Installation

The mounting bracket should be mounted on the static frame or the door. The mounting should be positioned so that bolt engagement is made before the door touches the frame. The Salus unit is then presented to the mounting plate at an angle and clipped on by engagement with the internal tangs. Once the unit is clipped on, the two dog screws are tightened (using the security bit supplied), trapping the mounting plate and securing the unit for use. The bolt should then be aligned and mounted, using suitable fasteners. The design of the bolt allows for some misalignment to the housing. Please refer to drawing on page 4 for more installation details.



IMPORTANT:

The interlock should be mounted using anti-tamper fasteners to prevent unauthorised removal.



The Salus access interlock must be installed by a competent and qualified person who has read and understood these instructions. Please retain this document in your technical file.

Maintenance

Periodic visual checks should be carried out by the site manager / safety officer.
Do not lubricate lock barrel with oil or grease, use CK Dry Powder Graphite if necessary.



In case of detected defects please contact your nearest Castell Support Department for further actions.
Please see Contact section for contact details.

Technical Data

Temperature rating	Minimum: -40°C [-40°F] ice free
	Maximum: 75°C [167°F]
Type of mounting	Surface mount using suitable fasteners (please refer to drawing on page 4 for more details)
Weight	1.4kg
Material	Stainless steel
MTTF Certification	Available on request

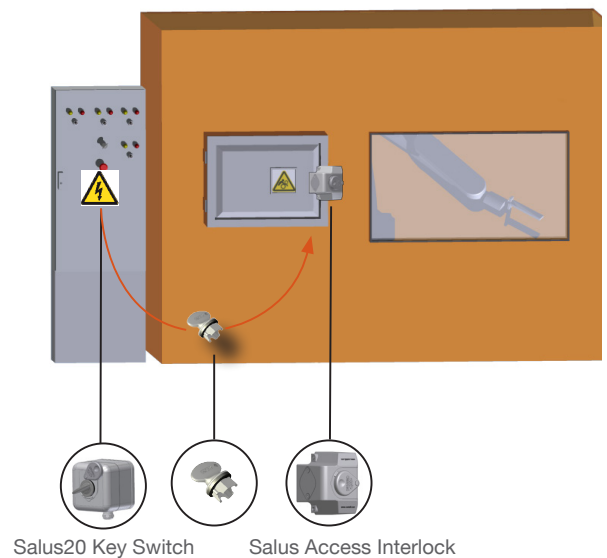
Application

A typical application of the Salus single key automatic access interlock is machine guarding with part body access.

The Salus is used as a part of a safety system, which ensures a machine is shut down, before access to the hazardous area is allowed.

The system involves the Salus20 key switch that breaks the machine safety circuit when the key is removed. The key can then be taken to the Salus automatic access interlock to enable access to the machine.

The machine cannot be restarted until the door is closed, the bolt is trapped in the Salus lock and the key is removed and taken to the Salus20 key switch.



EC-Declaration

We, the manufacturers, declare that the components, detailed herein and placed on the market, comply with all the essential health and safety requirements applying to them.

Empowered signatory:

Mr T.C. Whelan
Managing Director

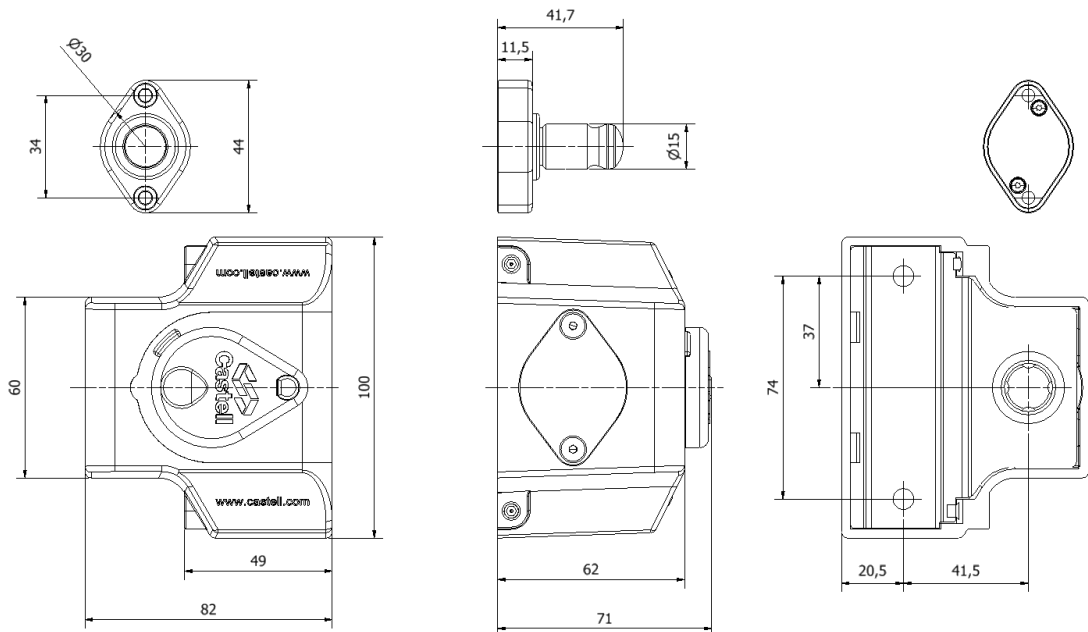


Drawing

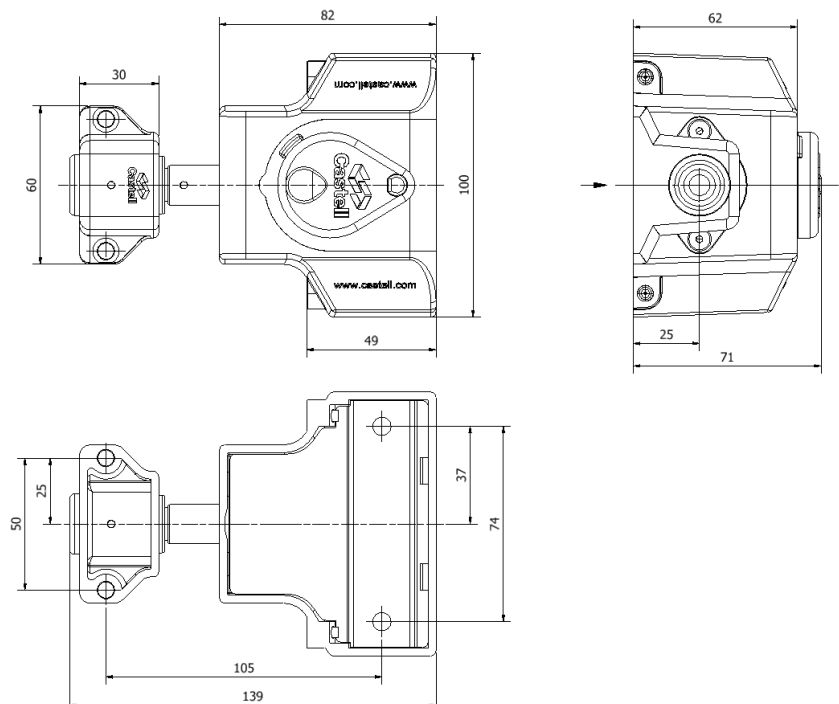
Dimensions:
in mm

Note: For safe mounting, use security screws

SALUS, Hand 1, hinged door operation



SALUS, Hand 1, sliding door operation



While every effort has been made to ensure the accuracy of the information provided, no liability can be taken for any errors or omission. Castell Safety International Limited reserves the right to alter specifications and introduce improvements without prior notice.

Order Information

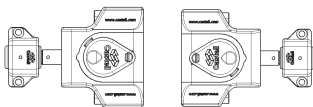
	Product Type	1	2
Part Number	SALUS		
Example	SALUS	S	1
	3		
	ABC		

1	Operation	H = Hinged Door Operation ⁽¹⁾ S = Sliding Door Operation ⁽¹⁾
2	Handing	1 = left hinged door (bolt enters left) ⁽²⁾ 2 = right hinged door (bolt enters right) ⁽²⁾
3	Lock portion symbol	up to 3 characters

(1) **Hinged Door Operation** **Sliding Door Operation**



(2) **Hand 1** **Hand 2**



Individual construction upon enquiry

Contact Information

Castell Safety International Ltd.
The Castell Building
217 Kingsbury Road
London, England NW9 9PQ

t: +44 (0) 20 8200 1200
f: +44 (0) 20 8905 9378
e: uksales@castell.com

Castell Safety International Ltd.
Oskar-Jäger-Strasse 137
50825 Köln
Germany

t: +49 (0) 221 1694 794
f: +49 (0) 221 1694 795
e: vertrieb@castell.com

Castell Interlocks Inc.
Suite 800
150 N Michigan Avenue,
Chicago, Illinois 60601
USA

t: +1.312.360.1516
f: +1.312.268.5174
e: ussales@castell.com

Castell Safety China
Building 1, No. 123,
Lane 1165, Jindu Road,
Minhang District,
Shanghai 201108, China.

t: +86 21 61519023
f: +86 21 61519030
e: chinasales@castell.com

While every effort has been made to ensure the accuracy of the information provided, no liability can be taken for any errors or omission. Castell Safety International Limited reserves the right to alter specifications and introduce improvements without prior notice.