



Y-FSB-H-1/8

The Y key exchange box is a product designed to enable the release of keys by insertion of an initial key. The Y box is designed for the release of six or more keys, with no upper limit, with the keys being released in any order once the isolation (end key) has been inserted. The need for this type of product usually arises due to there being more keys required than the initial isolation system supplies. The unit will generally be the link between the isolation locks and the access products. The Y box is supplied in an enclosure suitable for surface mounting.

Operation

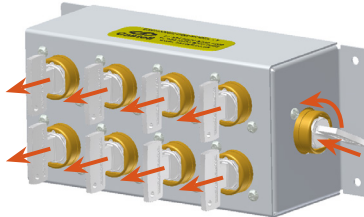
Castell Key Exchange Boxes are used in various applications to control multi-door accesses to hazardous areas.

Y key exchange box, horizontal mount (1 key free - 8 keys trapped)

① End key is free, front keys are trapped



② Insert and turn end key, then turn and release front keys in any order



③ End key is trapped, front keys are free



1. While the end key is free which is usually used in a power isolation, all (8) front keys are trapped.
2. By inserting and turning the free end key in the Y key exchange box, you can release the trapped front keys in any order. Once the first key has been removed, the end key stays trapped. The released keys can be used in the access door locks to gain access to the hazardous area.
3. The end key stays trapped until all released keys are replaced and turned to their original position.

The Y key exchange box is available with different numbers of front keys and also in a vertical mounting version.



Usage

Y key exchange boxes should be used to allow a safe access to potential hazardous and dangerous areas with one or more access points.



The Y key exchange box is not designed for security purposes, such as a safe or external access to a building.

No hazardous substances were used in the manufacture of this product. The product can be disposed of in standard waste.

Installation

The Y key exchange box should normally be mounted on the static frame using suitable fasteners. Please refer to the drawing on page 4 for maximum and minimum mounting distance. Y key exchange boxes are available in horizontal and vertical mounting versions. Anti vibration pads should be used on machines that generate a high level of vibration



IMPORTANT:

The Y key exchange box should be mounted using anti-tamper fasteners to prevent unauthorised removal.



The Y key exchange box must be installed by a competent and qualified person who has read and understood these instructions. Please retain this document in your technical file.

Maintenance

Periodic visual checks should be carried out by the site manager/safety officer.
Do not lubricate lock barrel with oil or grease, use CK Dry Powder Graphite if necessary.



In case of defects being detected please contact your nearest Castell Support Department for further actions.
Please see Contact section for contact details.

Technical Data

Temperature rating	Minimum: -40°C [-40°F] ice free for Q & FS type
	Maximum: 107°C [224,6°F] for Q type/140°C [284°F] for FS type or 288°C [550°F] upon request
Type of mounting	surface mount using suitable fasteners
Weight	Brass: 1 kg for 2 lock portions, add 0,5 kg per additional portion
	Stainless steel: 1 kg for 2 lock portions, add 0,5 kg per additional portion
Material	Brass or stainless steel
MTTF Certification	Available on request

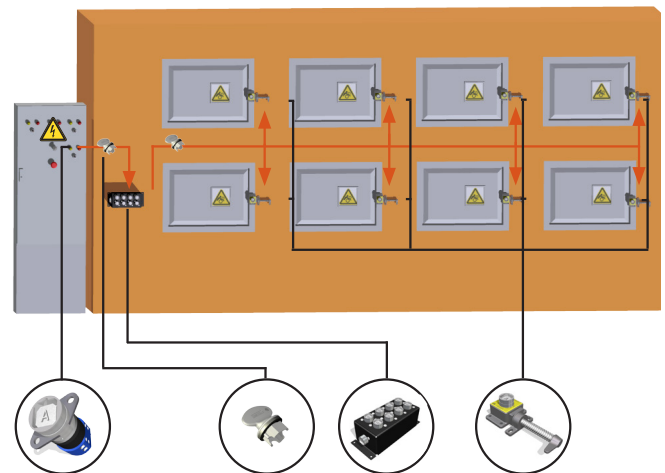
Application

A typical application of the Y key exchange box is machine guarding with more than one access points to the hazardous area.

The key exchange box is used as a part of a safety system, which ensures a machine is shut down, before access to the hazardous area is allowed. The system involves a KS key switch for the electrical supply and typically more than one AI access interlock for part body access.

The removal of the isolation key from the key switch isolates the electrical supply to the machine. This key is taken to the Y key exchange box to release the trapped keys. The released keys are used to gain access through the AI door interlocks.

The machine cannot be restarted until all keys are returned to the Y key exchange box and the end key (power isolation key) is removed and taken to the KS key switch.



EC-Declaration

We, the manufacturers, declare that the components, detailed herein and placed on the market, comply with all the essential health and safety requirements applying to them.

Empowered signatory:

Mr T.C. Whelan
Managing Director

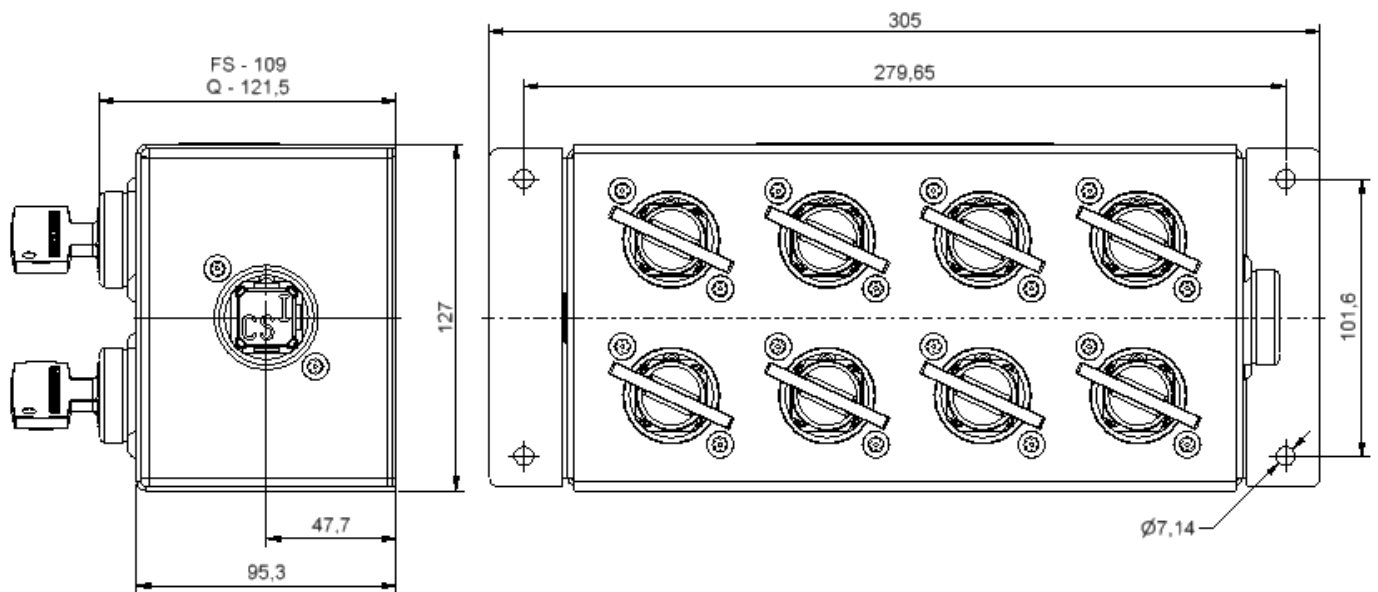


Drawing

Dimensions:
in mm

Note: For safe mounting, use security screws

Y key exchange box, horizontal mount



Order Information

Product Type	1	2	3	4	5						
Part Number	Y	-		-		-		-		-	
Example	Y	-	FS	B	-	H	-	1	/	8	
	6										
	A		End Lock Symbol								
	7										
	B		Front Lock Symbol(s)								


1	Lock portion type	FS ⁽¹⁾ / Q ⁽¹⁾
2	Material	B = Brass S = Stainless steel
3	Mounting	H = Horizontal V = Vertical
4	Number of Free Keys	1 (standard)
5	Number of Trapped Keys	please specify
6	Lock portion symbol - End Key	FS ⁽¹⁾ up to 3 characters / Q ⁽¹⁾ up to 6 characters
7	Lock portion symbol(s) - Front Key(s), all to be advised separately	FS ⁽¹⁾ up to 3 characters / Q ⁽¹⁾ up to 6 characters

(1) **FS - Lock type** Up to 3 characters **Q - Lock type** Up to 6 characters



Special construction available upon enquiry

Accessories

	Product	Part number
	Flip Cap	FLIP-S

Contact Information

Castell Safety International Ltd.
The Castell Building
217 Kingsbury Road
London, England NW9 9PQ

t: +44 (0) 20 8200 1200
f: +44 (0) 20 8905 9378
e: uksales@castell.com

Castell Safety International Ltd.
Oskar-Jäger-Strasse 137
50825 Köln
Germany

t: +49 (0) 221 1694 794
f: +49 (0) 221 1694 795
e: vertrieb@castell.com

Castell Interlocks Inc.
Suite 800
150 N Michigan Avenue,
Chicago, Illinois 60601
USA

t: +1.312.360.1516
f: +1.312.268.5174
e: ussales@castell.com

Castell Safety China
Building 1, No. 123,
Lane 1165, Jindu Road,
Minhang District,
Shanghai 201108, China.

t: +86 21 61519023
f: +86 21 61519030
e: chinasales@castell.com

While every effort has been made to ensure the accuracy of the information provided, no liability can be taken for any errors or omission. Castell Safety International Limited reserves the right to alter specifications and introduce improvements without prior notice.