

FLIP CAP Protective Cap



The Castell protective cap is used to help prevent dust ingress into the lock portion. The cap can easily be fitted to existing Castell locks. In addition, the cap can be also padlocked closed to prevent lock operation during maintenance.

USAGE

The Castell FLIP-S is a stainless steel padlockable protective cap and is used to help prevent dust ingress into the lock.

1



2



3



TECHNICAL DATA

Temperature rating	Minimum: -40°C [-40°F] ice free for Q & FS lock type
	Maximum: 107°C [224.6°F] for Q lock type/140°C [284°F] for FS lock type
Weight	0.1 kg
Material	Stainless steel

No hazardous substances were used in the manufacture of this product.

EC-DECLARATION

We, the manufacturers, declare that the components detailed herein and placed on the market comply with all the essential health and safety requirements applying to them.

ISO 13849-1:2015 Safety of Machinery

2006/42/EC Machinery Directive

Empowered signatory:

Kirstie Van Oerle
Business Unit Director

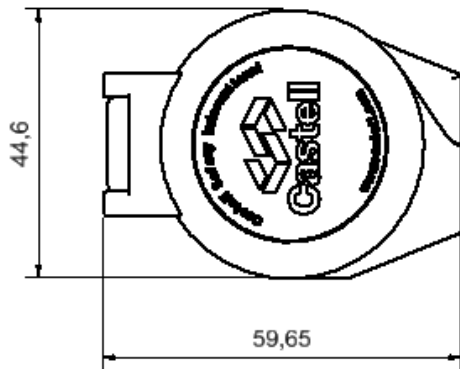
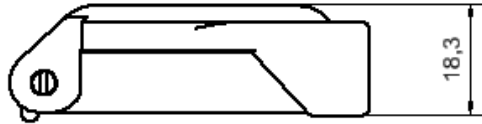
FLIP CAP Protective Cap



DRAWING

Dimensions: in mm

FLIP-S



ORDER INFORMATION

	Component type	1
Part number	FLIP	S

CONTACT INFORMATION

Castell Safety

The Castell Building
217 Kingsbury Road
London, NW9 9PQ
UK

t: +44 (0)20 8200 1200
f: +44 (0)20 8205 0055
e: sales@castell.com

Castell Safety

Tower 185
60185 Frankfurt am Main
Germany

t: +49 (0)69 50 50 47 310
f: +49 (0)69 50 50 47 450
e: vertrieb@castell.com

Kirk Key Interlock

9048 Meridian Circle NW
North Canton, OH 47720
USA

t: +1 800 438 2442
f: +1 330 497 4400
e: sales@kirkkey.com

SPS China

2F, Building 63
No 421 Hongcao Road, Xuhui District
Shanghai PRC, 200233
China

t: +86 (0)21 6040 7398
f: +86 (0)21 5453 0630
e: chinasales@castell.com